



GLINIK
DRILLING TOOLS

REAMING SOLUTIONS FOR HDD





Find out more at:
www.glinik.com



KEY FEATURES



PILOT ROCK BIT



- » Abrasion-resistant hard facing and TCIs for superb diameter protection
- » Efficient jet flushing
- » Bit steerability supporting required hole trajectory
- » Cutting structure adapted to project requirements
- » API Certificate

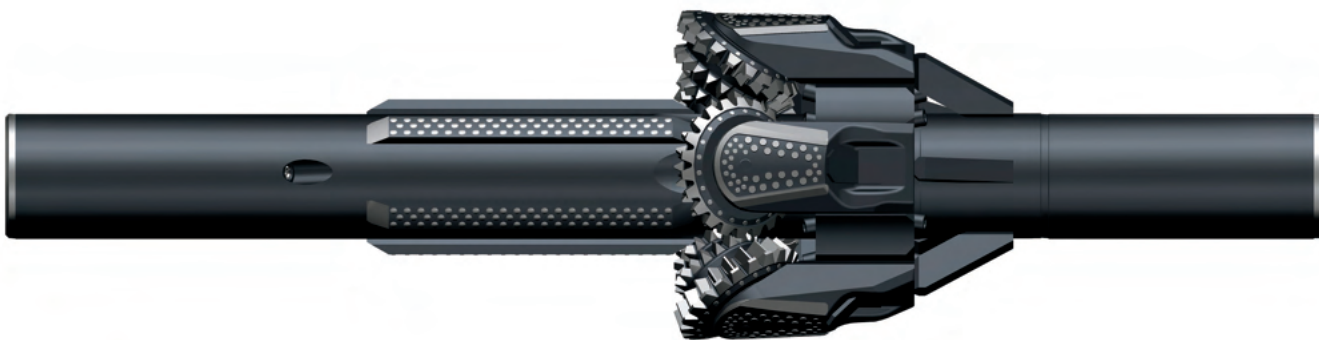
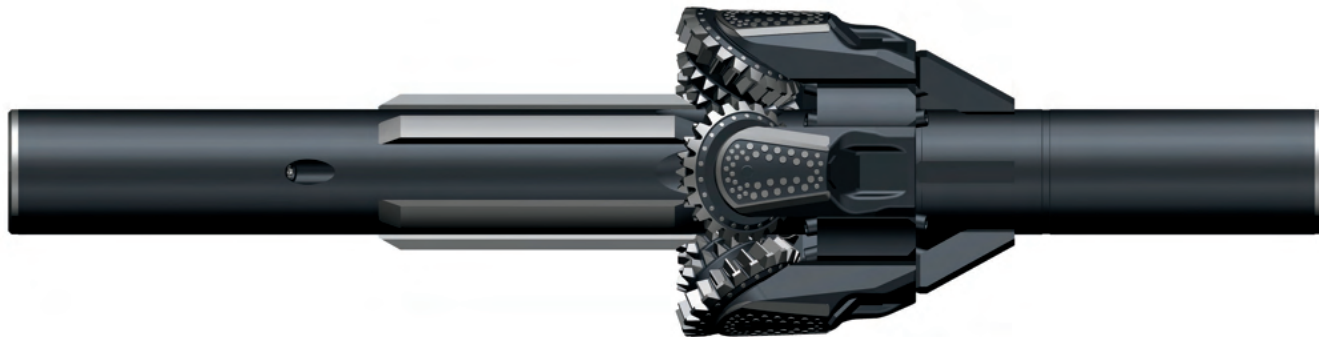
Pilot size	9-7/8", 12-1/4"
Connection	6-5/8" Reg
Cutting structure	MT & TCI
Shirttail protection	abrasion resistant hard facing & TC inserts

KEY FEATURES



HOLE OPENER X-ENLARGE TYPE "S"

- » Heavy-duty welded arm design with stabilizing blades for perfect hole centralization
- » Technologically advanced flushing system
- » Connections available: FH, REG, NC
- » Short lead times:
5-6 weeks for standard designs
10+weeks for customized designs



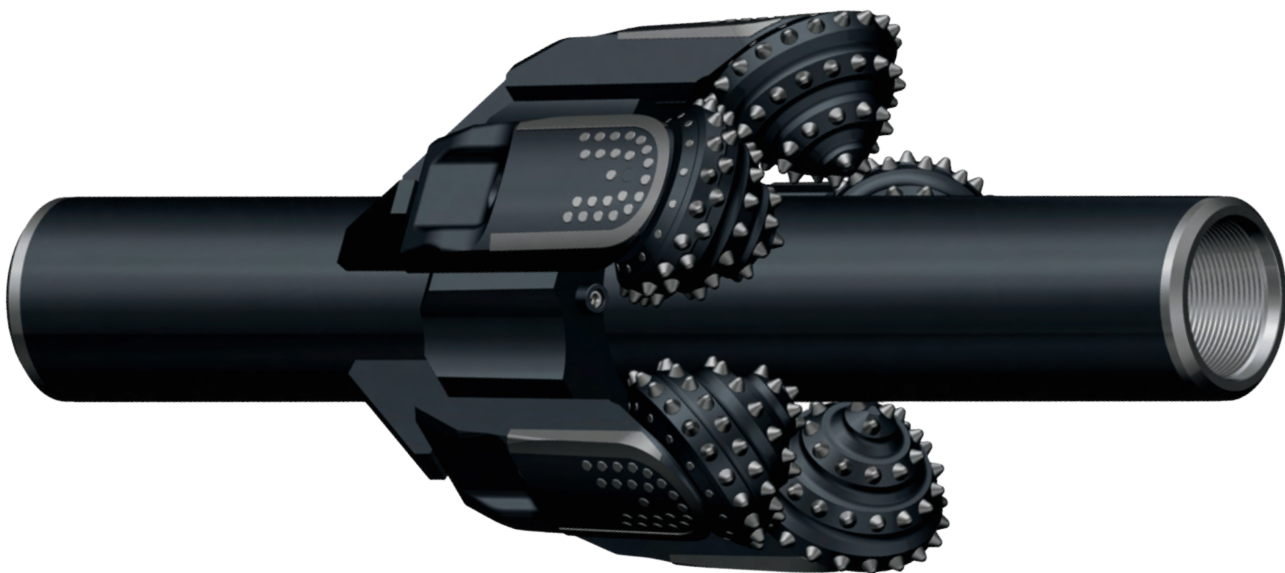
Pilot size	_____	9-7/8", 12-1/4"
Cutting structure	_____	MT & TCI
Opening size	_____	24", 26"

KEY FEATURES



HOLE OPENER X-ENLARGE TYPE "C"

- » Heavy-duty welded arm design
- » Technologically advanced flushing system
- » Threads available: FH, REG, NC
- » Short lead times:
5-6 weeks for standard designs
10+weeks for customised designs



Pilot size	_____	9-7/8", 12-1/4"
Cutting structure	_____	MT & TCI
Opening size	_____	24" - 26"

KEY FEATURES



HOLE OPENER X-ENLARGE TYPE "J"

- » Heavy-duty welded arm design
- » Technologically advanced flushing system
- » Threads available: FH, REG, NC
- » Short lead times:
5-6 weeks for standard designs
10+weeks for customised designs



Cutting structure	_____	MT & TCI
Opening size	_____	36" and above

EXTENDED LIFE

FOR YOUR HOLE OPENER



Hole opener regeneration is a cost-effective and environmentally friendly approach that offers financial savings and promotes environmental sustainability.



ECONOMIC BENEFITS

- Cost Savings:** Replacing cutters and regenerating connections instead of purchasing a new reamer significantly reduces expenses.
- Extended Lifespan:** Regular regeneration extends the reamers lifespan, decreasing the need to buy new equipment.
- Downtime Reduction:** Quick regeneration minimizes downtime and lowers operational costs.

ENVIRONMENTAL / SUSTAINABILITY BENEFITS

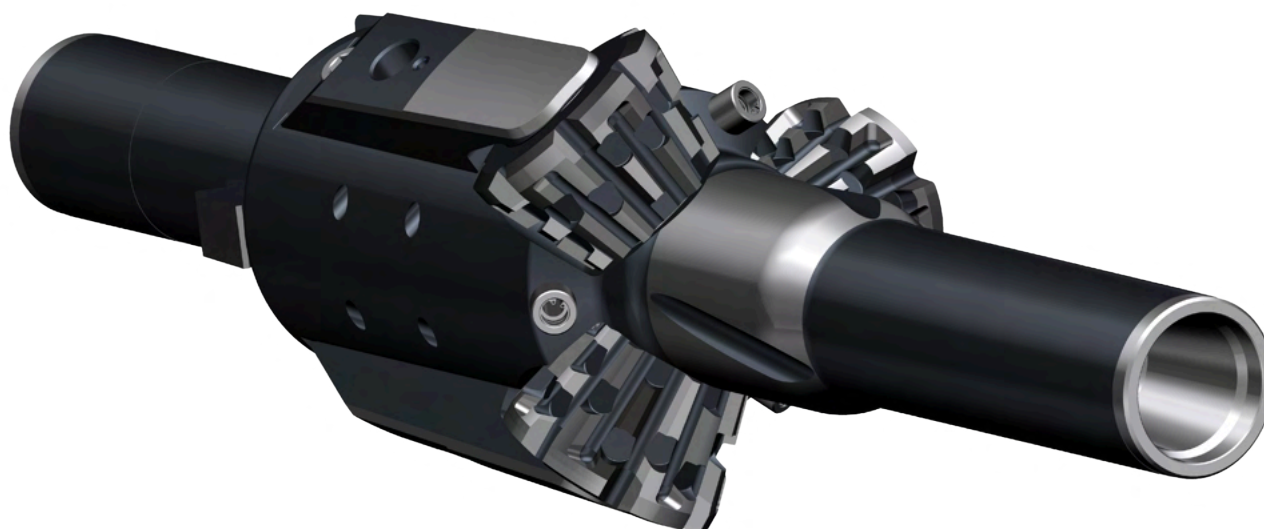
- Resource Savings:** Re-using parts of the reamer reduces the demand for new raw materials.
- Emission Reduction:** The regeneration process consumes less energy and generates lower CO2 emissions compared to manufacturing new equipment.



KEY FEATURES



G-Reamer



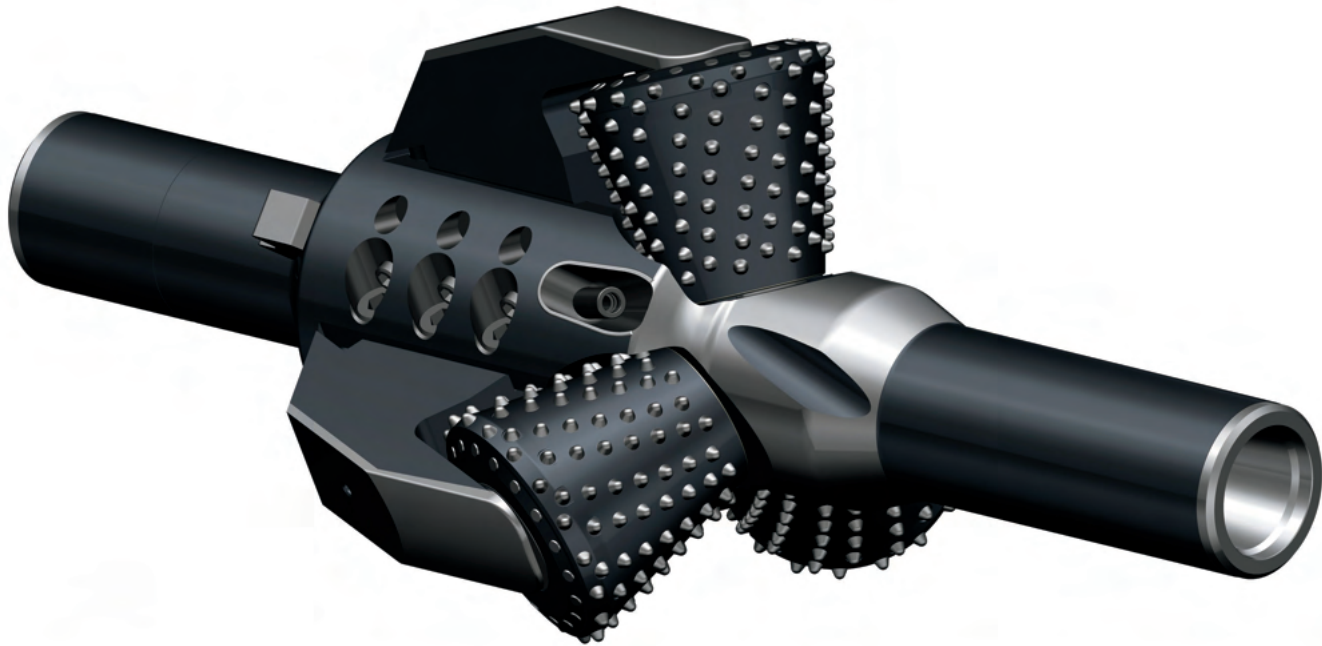
SPECIFICATION

BODY				
Body	Min pilot hole	Connection	No of rollers	
GR6	6-1/4"	3-1/2" IF BxB	3	
ROLLER CUTTERS OPENING RANGE				
Body	AA MT & TCI	BB MT & TCI	CC MT & TCI	DD MT & TCI
GR6	12"	14"	16"	18"

KEY FEATURES



G-Reamer



SPECIFICATION

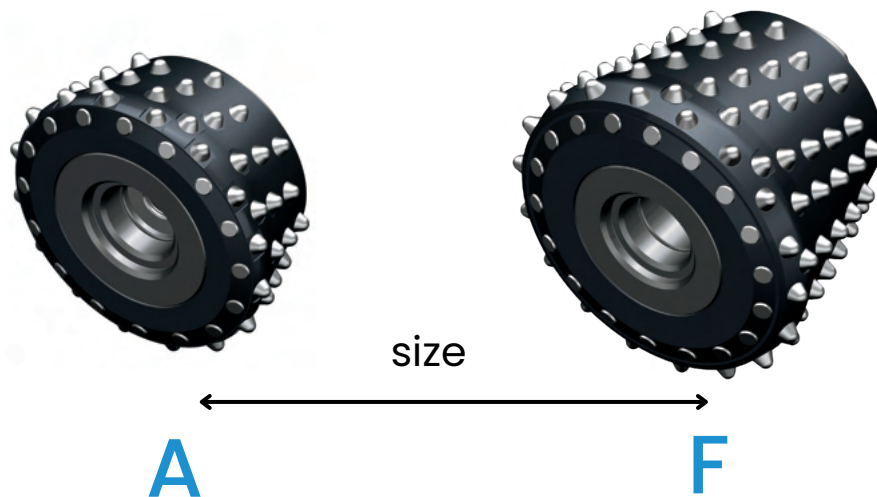
BODY						
Body	Min pilot hole	Connection		No of rollers		
GR8	9-7/8"	4-1/2" IF BxB		3		
GR17	17-1/2"	7-5/8" REG BxB		3		
ROLLER CUTTERS OPENING RANGE						
Body	A MT & TCI	B MT & TCI	C MT & TCI	D MT & TCI	E MT & TCI	F MT & TCI
GR8	16"	18"	20"	22"	24"	26"
GR17	24"	26"	28"	30"	32"	34"

KEY FEATURES



G-Reamer

- » MT and TCI roller cutters available for all sizes
- » Rental and purchase options available



- » Roller cutters and arms adjusted to working diameter
- » Extra protection inserts in gauge area

